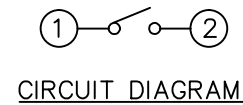
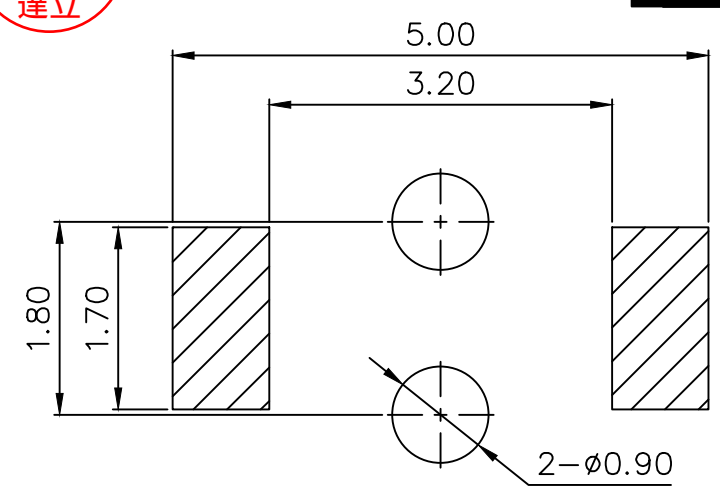
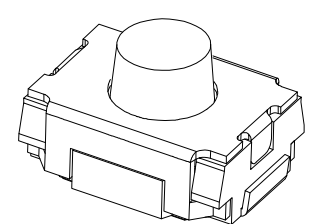
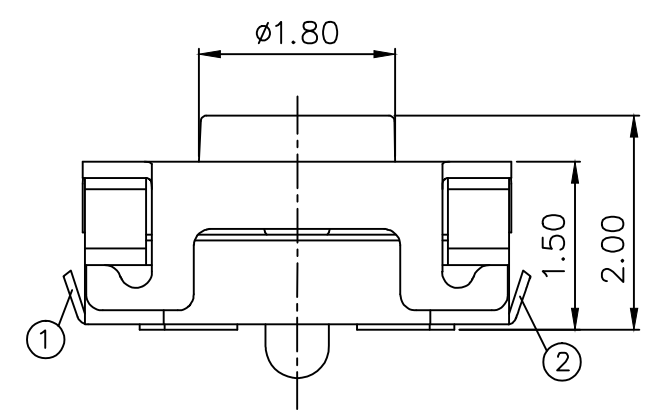


△				
△				
△				
△				
ZONE	REV	DESCRIPTION	DATE	APPD.

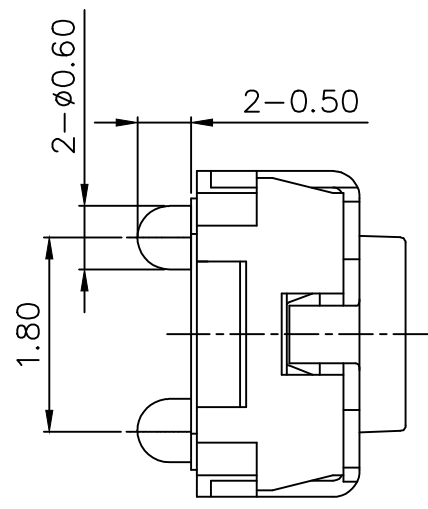
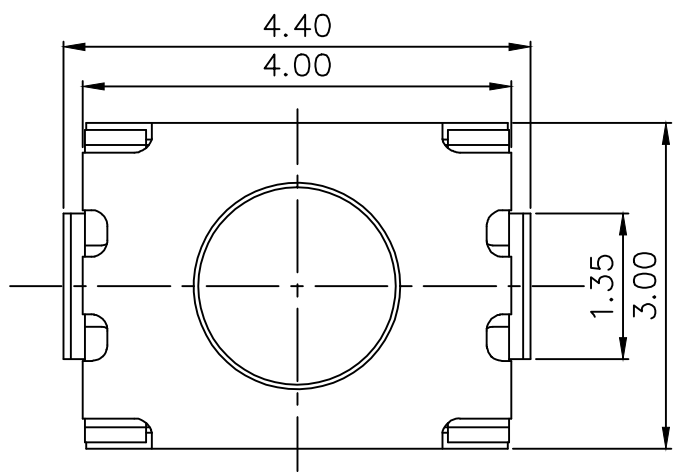
R&D發行  
2018.12.04  
達立



**RoHS**  
**Compatible**



RECOMMENDED P.C.B MOUNTING  
PATTERN DIMENSION



Specification

1. Rating : DC 12V, 50mA.
2. Travel : 0.2±0.1mm
3. Contact resistance : 100mΩ Max.
4. Insulation resistance : 100MΩ Min.
5. Operating force : 160±50gf
6. Operating life : 100,000 cycles.

6	Mylar	PI Flim	1	Yellow
5	Terminal	Brass	1	Ag Plated
4	Base	LCP	1	White
3	Contact	Stainless Steel	1	Ag Cald
2	Stem	LCP	1	Black
1	Cover	Stainless Steel	1	———
No.	Part Name	Material	Q"ty	Finishing

**達立科技股份有限公司**  
**Dawning Precision Co.,Ltd.**  
TEL: 886-2-82271388 FAX: 886-2-82272198

DESIGN	Jeff	SCALE		
DRAWING	Jeff	UNIT	mm	
CHECK	Jeff	SIZE	A4: 210*297	
APPROVAL	Honda	VERSION	01	

TOLERANCE UNLESS OTHERWISE STATED(mm)	PART NAME	TACT SWITCH
0 ——— ±0.40	PART NO	TS-A85UE-3-S085
0.0 ——— ±0.30	DRAWING NO	
0.00 ——— ±0.20	DATE	2018/12/04
ANGLE ——— ±2°		

www.dawning2.com.tw